



## Efficient Pre-Plating with Advanced Control

Load up to four masters, each controllable individually, for high efficiency. Enjoy the user-friendly interface of the advanced PLC controller, complete with network connectivity and remote access.

### FEATURES

- Rigid design in stainless steel, polypropylene, and titanium
- Titanium anode basket
- Plating vat exhaust function
- Adjustable flow
- Dual 20-inch filter housings
- Individual cathode movement for each position
- High output capacity
- Integrated dummy plating function
- PID-regulated temperature control
- PLC control system
- Network connection for remote access
- User friendly detachable HMI touch screen

## INNOVATIVE AND USER-FRIENDLY ELECTROFORMING SOLUTIONS

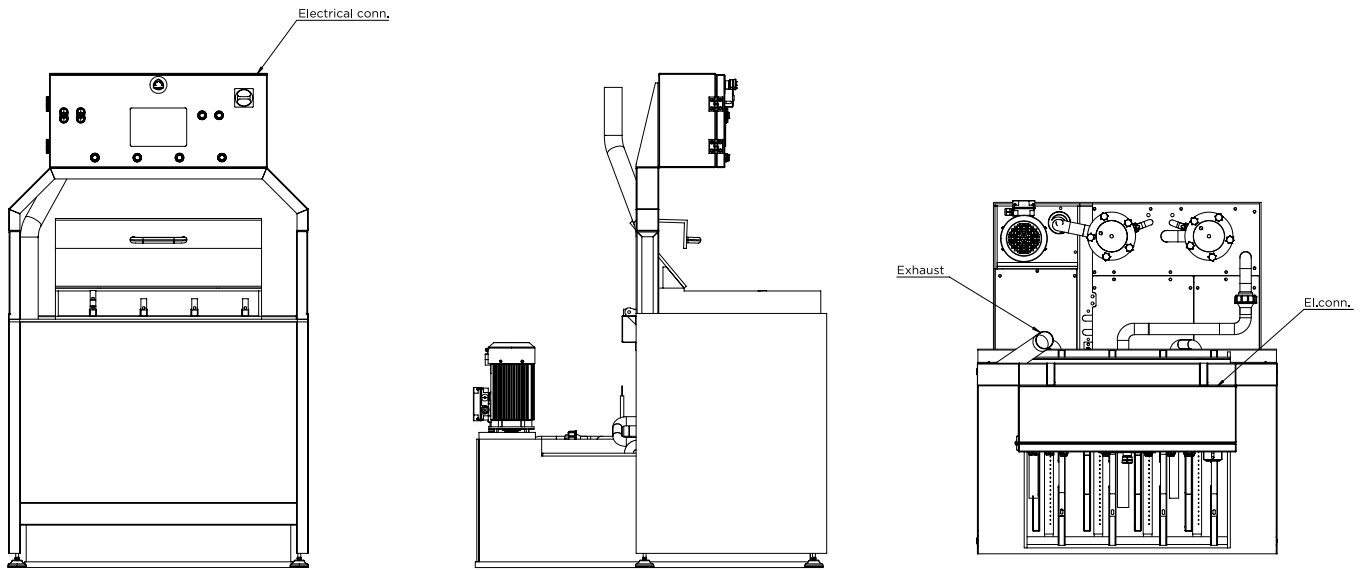
Discover the ultimate in electroforming technology with Phoenix Alpha - your go-to choice for stamper production and electroforming solutions. Our system boasts an intelligent and intuitive design that sets it apart in the market. Equipped with a powerful new processor, it adapts to your specific needs with customizable software options.

Phoenix Alpha offers features that empower operators to maintain peak productivity and ensure top-notch quality. Real-time process monitoring provides timely alerts for cartridge replacements, nickel pellet replenishment, and anode basket cleaning. Experience consistent, high-quality production with minimal downtime.

Our system is controlled by an industrial-grade PLC for unmatched reliability. Enjoy user-programmable recipes with exceptional repeatability.

With all components neatly contained within its footprint, our cabinet provides location flexibility, ensuring a seamless fit into your workspace.

Phoenix Alpha's dedicated technicians bring expertise and experience to the table, from development and manufacturing to servicing electroforming systems. We're the world's only manufacturer offering both electroforming and replication systems. Experience the convenience of a one-stop shopping concept for lacquer and DMM family development.



**Media supply requirements for one Pheenix Pre-Plating Unit**

<b>DIMENSIONS</b>	W 1062 mm × D 1245 mm × H 1750 mm
<b>ELECTRICAL INPUT</b>	400 VAC +/- 5%, 50-60Hz, 3-Phase, 16 Amp, 3P+N+E
<b>EXHAUST CONNECTION</b>	Ø 63 mm
<b>COOLING WATER</b>	12-20°C

**TANK**

<b>VOLUME</b>	385 liter
<b>PUMP CAPACITY</b>	10m <sup>3</sup> /h
<b>HEATER</b>	4,5 kW
<b>FILTERS</b>	2 × 20 inches
<b>SERVICE ACCESS BEHIND TANK</b>	Minimum 500 mm

**PLATING POWER**

<b>MAX. VOLTAGE</b>	12 VDC
<b>MAX. CURRENT</b>	15 Amps/cell

**CONTROL**

**PLC AND 7 INCH TOUCH SCREEN**

*Please contact us with any questions or to request.*

THE INFORMATION PROVIDED MIGHT BE SUBJECT TO CHANGES.



**Pheenix Alpha AB**  
 Skepptuna Borgen 299  
 SE 195 93 Märsta  
 +46 (0)8 598 933 00  
[www.pheenixalpha.com](http://www.pheenixalpha.com)

**E-mail** [info@pheenixalpha.com](mailto:info@pheenixalpha.com)  
**Spareparts order handling**  
[order@pheenixalpha.com](mailto:order@pheenixalpha.com)  
**Helpdesk/support**  
[helpdesk@pheenixalpha.com](mailto:helpdesk@pheenixalpha.com)

