



Building on the legacy of the best-selling AD12, the **AD12 Manual** is the latest innovation in vinyl record pressing, designed to deliver precision and reliability for both specialized and high-capacity operations.

Engineered for **short and long-run productions, test pressings, and custom vinyl work** such as splatter designs, Picture Disc etc. The AD12 Manual ensures unparalleled quality and versatility. With a semi-automatic workflow, it offers an optimal balance of operator control and efficiency, making it the perfect addition for both established pressing plants and niche operations.

#### FEATURES

- **Proven Design:** Built on the foundation of the industry's leading AD12 model.
- **Customizable Solutions:** Ideal for vinyl enthusiasts and businesses looking to increase production.
- **Easy access:** All kinds of formats and different records can be produced.
- **Picture Disc, Splatter and Multi-Colored vinyl** will be easy to handle.
- **Safety-certified:** A two-handed grip function and integrated light curtains ensure safe operation.
- **Eco-conscious construction**, reducing environmental impact without compromising on quality.
- **Operator friendly 10" HMI interface.**

## Pheenix Returns to Manual Production for Smaller Runs and Creative Vinyl Projects.

Pheenix is proud to announce the return of manual production, complementing our flagship automatic AD12 system. This expansion enables us to better meet the needs of smaller operations and customers seeking maximum flexibility and creativity.

By reintroducing the manual process, we are now able to offer unique and customized vinyl pressings, including sought-after formats such as picture discs, splatter patterns, and multi-coloured vinyl. This move reflects our commitment in supporting independent artists, boutique labels, and anyone looking to create truly extraordinary vinyl records.

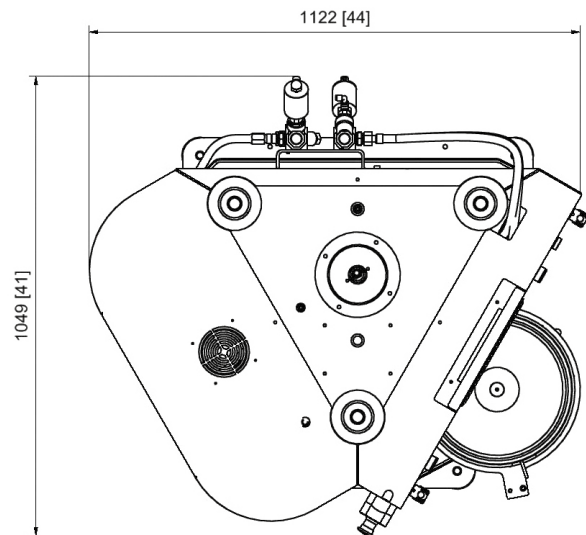
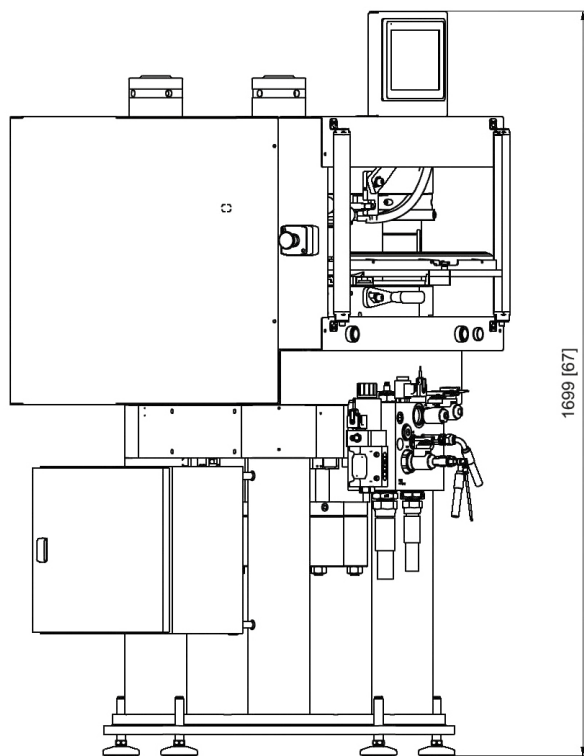
We have seen a growing demand for highly creative designs and smaller production runs; by reintroducing manual production the press allows us to provide even greater flexibility and innovation to our customers.

Pheenix has a long-standing tradition of excellence and innovation in vinyl production. This initiative is part of our broader strategy to strengthen customer relationships and continue delivering top-tier craftsmanship and quality.

This new manual system is based on the trusted AD12 platform, ensuring compatibility with many of its spare parts, offering a clear advantage to our customers in terms of maintenance and reliability.

#### Flexibility with Dual Press Options

The AD12 Manual also allows customers to expand their setup with **two presses serviced by a single extruder**, enabling efficient production at a higher scale. Additionally, customers can choose **extra extruders** for the creation of multi-colored vinyl records, providing more options for creative and artistic projects.



## Media supply requirements for one AD12

### ELECTRIC POWER

Voltage	3x400/3x480 V + PE, 50/60 Hz
Recommended fuse	16 A

### COOLING WATER PRESS UNIT

Pressure at inlet	10-12 bar (with cooling valves closed)
Pressure drop at 80 liters/min	5 bar (with cooling valves open)
Back pressure outlet	max. 1 bar (recommended < 0,5 bar)
Peak flow	80 liters/min
Average flow	40 liters/min
Temp.	set point, 15°C-23°C
Temp. max fluctuation	± 1,5°C
Average required cooling capacity	90 kW

### COOLING WATER HYDRAULIC PUMP UNIT

Pressure at inlet	5-12 bar
Back pressure outlet	max. 1 bar (recommended < 0,5 bar)
Average flow	5 liters/min
Temp.	10°C-25°C

### STEAM

Pressure	11,5 bar
Pressure tolerance	± 0,5 bar
Average consumption	173 kg/h
Peak consumption	600 kg/h (during the first 3s of each cycle)

### COMPRESSED AIR

Pressure	6-9 bar
Average flow Qn	200 l/min

Please  
contact us with  
any questions or  
to make a  
request.

