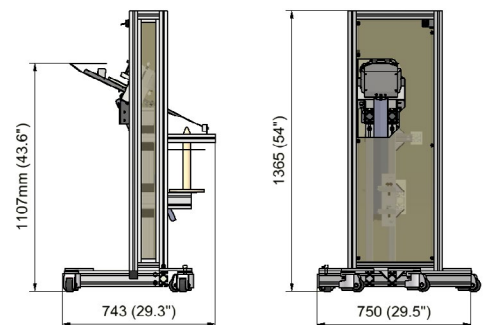


## Compact and flexible Punch unit for 7" Vinyl records

Experience efficiency and precision 7" center hole punch unit. It features a compact design, adjustable height with wheels for easy movement. Just connect power and air to start punching 7" inline with AD12 or stand alone.

### FEATURES

- Rigid design, Aluminum stand with adjustable feet's, possible to move around.
- Separate control system for standalone production.
- Easy to dock to AD12 Vinyl press for inline punching.
- Safe handling during operation
- CE certified



### Media supply requirements for one Pheenix 7" Center Hole Punch

<b>DIMENSIONS</b>	W 750 mm × D 743 mm × H 1365 mm
<b>WORKING HEIGHT (STANDALONE)</b>	H 1107 mm
<b>ELECTRICAL INPUT</b>	110/240 VAC +/- 5%, 50-60Hz, 10 Amp.
<b>PNEUMATIC CONN.</b>	Ø G1/4" internal thread
<b>PNEUMATIC PRESURE</b>	6 Bar

Please contact us with any questions or to request.

